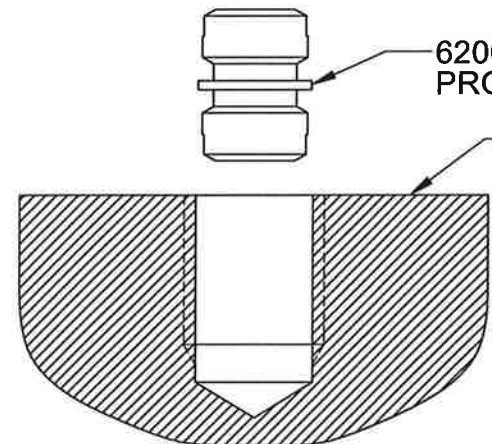
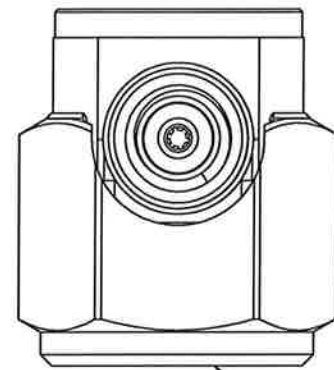
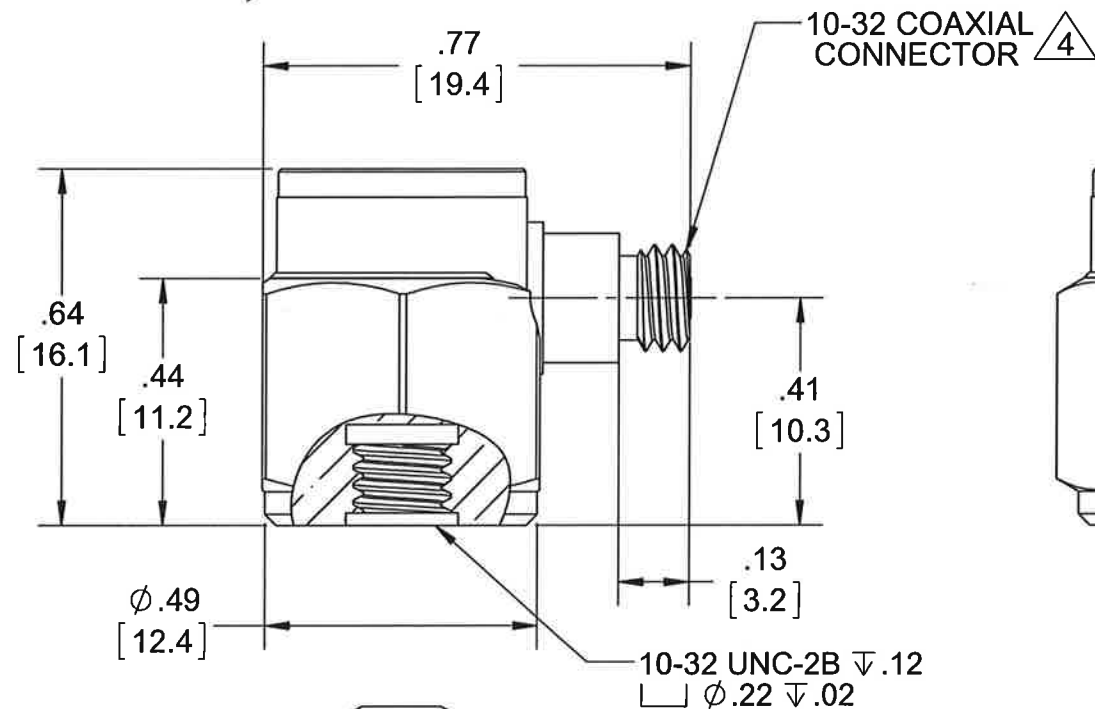
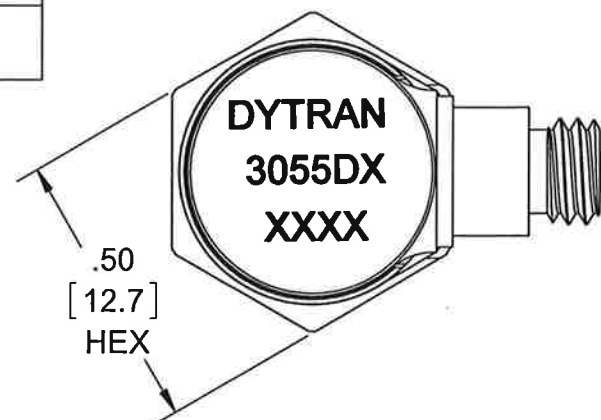


PROPRIETARY AND CONFIDENTIAL

THE INFORMATION CONTAINED IN THIS DRAWING IS THE SOLE PROPERTY OF DYTRAN INSTRUMENTS INC. ANY REPRODUCTION IN PART OR AS A WHOLE WITHOUT THE WRITTEN PERMISSION OF DYTRAN INSTRUMENTS INC. IS PROHIBITED

REVISIONS					
REV.	ECN	DESCRIPTION	BY/DATE	CHK	APPR
A	11394	INITIAL RELEASE	RA, 11/05/14	EM	<i>[Signature]</i>

MODEL	SENSITIVITY
3055D1	10 mV/g
3055D2	100 mV/g
3055D3	500 mV/g
3055D4	50 mV/g
3055D5	20 mV/G
3055D6	200 mV/g



**MOUNTING SURFACE HOLE PREPARATION:**  
 SELECT SURFACE FLAT TO .001 TIR  
 TAP 10-32 UNF-2B X .200 MIN THD DEPTH

4 MATES WITH DYTRAN 6010AXX OR 6011AXX CABLE (XX=LENGTH IS FEET)

3. WEIGHT: 10 GRAMS, MAX.

2 ARROW INDICATES ACCELERATION DIRECTION FOR POSITIVE OUTPUT.

1. MATERIAL: TITANIUM ALLOY

NOTES: UNLESS OTHERWISE SPECIFIED

UNLESS OTHERWISE SPECIFIED:  
 INTERPRET DIM & TOL PER ASME Y14.5M - 1994.  
 REMOVE BURRS.  
 COUNTERSINK INTERNAL THDS 90° TO MAJOR DIA.  
 CHAM EXT THDS 45° TO MINOR DIA.  
 THD LENGTHS AND DEPTHS ARE FOR MIN FULL THDS.  
 DIMENSIONS APPLY AFTER FINISHING.

UNLESS OTHERWISE SPECIFIED:  
 DECIMALS TOLERANCES ARE:  
 .XX ±.01 ANGLES ±1°  
 .XXX ±.005

APPROVALS		DATE
DRAWN	RA	05/29/14
DESIGN	RA	01/23/14
CHK	EM	12/17/14
APP	<i>[Signature]</i>	12/17/14

ALL MACHINED SURFACES.  
 TOTAL RUNOUT WITHIN .005.  
 BREAK SHARP EDGES .005 TO .010.  
 MACHINED FILLET RADII .005 TO .015.  
 WELDING SYMBOLS PER AWS A2.4.  
 ABBREVIATIONS PER MIL-STD-12.

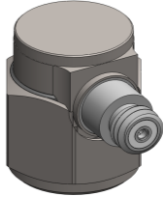
DO NOT SCALE DRAWING

**DYTRAN INSTRUMENTS, INC.** MASTER COPY ONLY IN RED  
 Chatsworth, CA

TITLE: **OUTLINE/INSTALLATION, ACCEL, ISOLATED, 10 MV/G, SIDE 10-32 CONN**

SIZE B	CAGE CODE 2W033	DWG NO 127-3055D	REV A
SCALE: 3:1	PART NO:	SHEET 1 OF 1	

<b>Model Number</b> 3055D2	<b>PERFORMANCE SPECIFICATIONS</b>	<b>DOC NO</b> PS3055D2
<b>IEPE ACCELEROMETER</b>		REV D, ECN 12342, 11/17/15



- HERMETICALLY SEALED
- BASE ISOLATED
- IDEAL LOW FREQUENCY RESPONSE

**PHYSICAL**

Weight  
Connector Type  
Mounting Provision  
Material, Housing/Connector  
Sensing Element  
Element Style

ENGLISH		SI
0.35	oz	10 grams
10-32		10-32
10-32 X .150 ↓		10-32 X .150 ↓
Titanium		Titanium
Ceramic		Ceramic
Planar Shear		Planar Shear

**PERFORMANCE**

Sensitivity, ± 5% [1]  
Range for ± 5 Volts Output  
Frequency Response, ± 10%  
Resonant Frequency  
Broad Band Resolution  
Linearity [2]  
Maximum Transverse sensitivity  
Strain Sensitivity @ 250µε

100	mV/g	10	mV/m/s <sup>2</sup>
50	g	491	m/s <sup>2</sup>
1 to 10000	Hz	1 to 10000	Hz
> 36	kHz	> 36	kHz
0.0004	Grms	0.004	m/s <sup>2</sup> rms
± 1	% F.S.	± 1	% F.S.
5	%	5	%
0.002	g/µε	0.02	m/s <sup>2</sup> /µε

**ENVIRONMENTAL**

Maximum Vibration  
Maximum Shock  
Temperature Range  
Seal

400	Gpeak	3924	m/s <sup>2</sup> peak
2000	Gpeak	19620	m/s <sup>2</sup> peak
-67 to +250	*F	-55 to 121	*C
Hermetic		Hermetic	

**ELECTRICAL**

Supply Current Range [3]  
Compliance Voltage Range  
Output Impedance, Typ  
Bias Voltage  
Discharge Time Constant  
Electrical Isolation

2 to 20	mA	2 to 20	mA
18 to +30	Volts	18 to +30	Volts
100	Ω	100	Ω
11 to 13	VDC	11 to 13	VDC
0.5 to 1.5	Sec	0.5 to 1.5	Sec
10	GΩ,min	10	GΩ,min

**This family also includes:**

Model	Sensitivity (mV/g)	Frequency Response, ±5 % (Hz)	Time Constant (Sec)	Operating Temp (*F)
3055D1	10	1 to 10000	0.5 to 1.5	-67 to +250
3055D3	500	1 to 10000	0.5 to 1.5	-67 to +225
3055D4	50	1 to 10000	0.5 to 1.5	-67 to +250
3055D5	20	1 to 10000	0.5 to 1.5	-67 to +250
3055D6	200	1 to 10000	0.5 to 1.5	-67 to +225

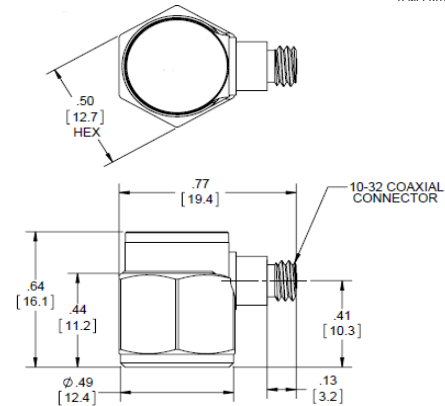
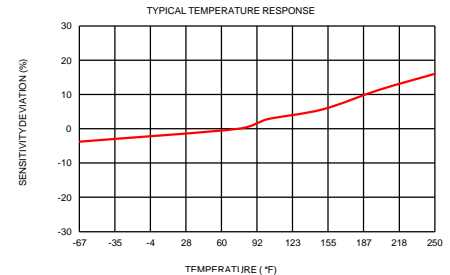
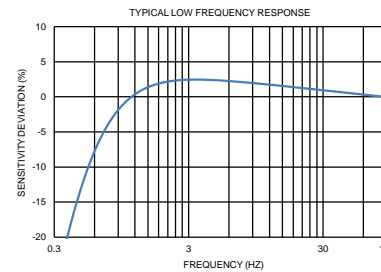
Refer to the performance specifications of the products in this family for detailed description

**Supplied Accessories:**

- 1) Accredited calibration certificate (ISO 17025)
- 2) Model 6200 mounting stud, qty 1

**Notes:**

- [1] Measured at 100Hz, 1 Grms per ISA RP 37.2.
- [2] Measure using zero-based straight line method, % of F.S. or any lesser range.
- [3] Do not apply power to this system without current limiting, 20 mA MAX. To do so will destroy the IC charge amplifier.
- [4] In the interest of constant product improvement, we reserve the right to change specifications without notice.



Units on the line drawing are in inches, units in brackets are in millimeters. Refer to 127-3055D for more information.



21592 Marilla Street, Chatsworth, California 91311 Phone: 818.700.7818 Fax:818.700.7880 www.dytran.com  
For permission to reprint this content, please contact info@dytran.com